

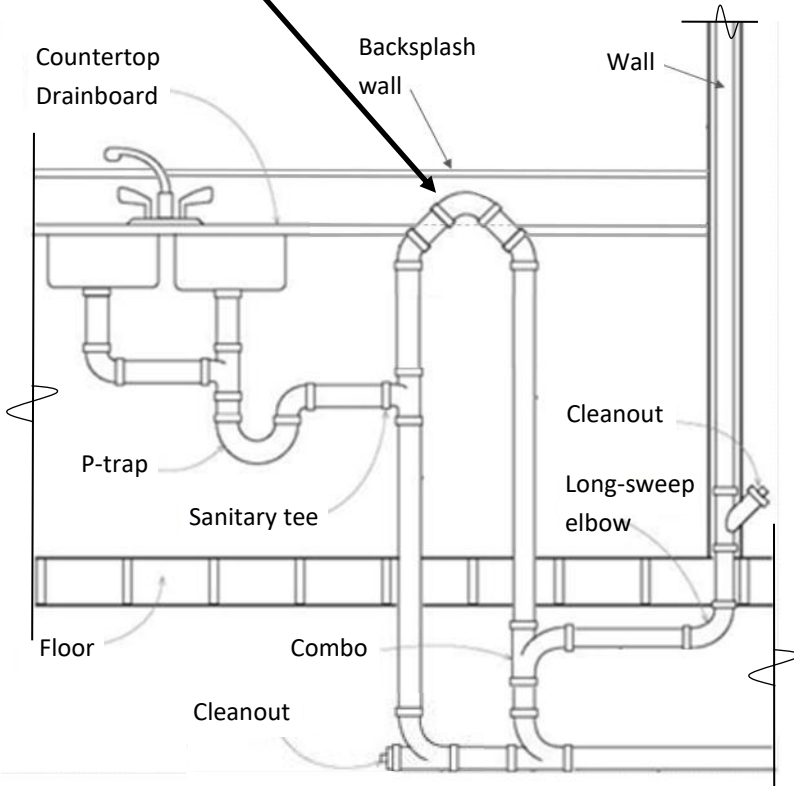
VENTING AN ISLAND SINK

Residential Occupancies



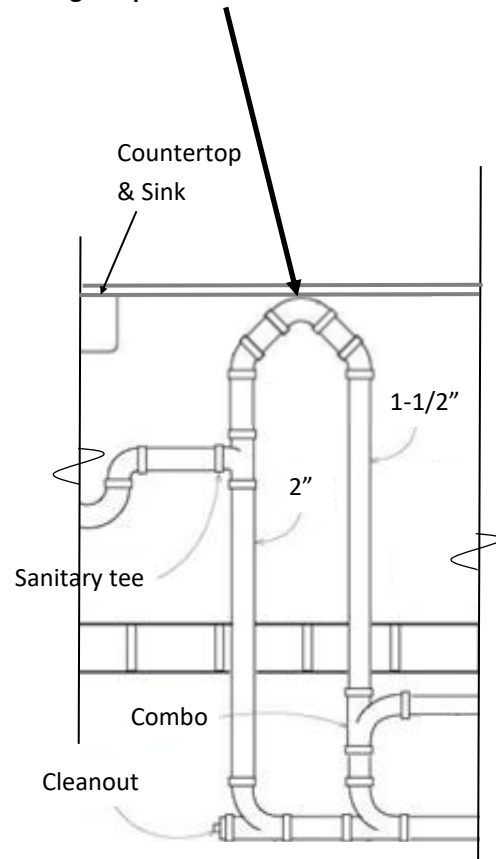
ISLAND COUNTER WITH RAISED BACKSPLASH

Extend "Loop Vent" as high as possible within backsplash wall.



ISLAND COUNTER WITH NO BACKSPLASH

Extend "Loop Vent" as high as possible.



CODE TEXT FOR REFERENCE

2015 UPC 909.0 Special Venting for Island Fixtures.

909.1 General. Traps for island sinks and similar equipment shall be roughed in above the floor and shall be permitted to be vented by extending the vent as high as possible, but not less than the drainboard height and then returning it downward and connecting it to the horizontal sink drain immediately downstream for the vertical fixture drain. The return vent shall be connected to the horizontal drain through a wye-branch fitting and shall, in addition, be provided with a foot vent taken off the vertical fixture vent by means of a wye branch immediately below the floor and extending to the nearest partition and then through the roof to the open air, or shall be permitted to be connected to other vents at a point not less than 6 inches above the flood-level rim of the fixtures served. Drainage fittings shall be used on the vent below the floor level, and a slope of not less than 1/4 inch per foot back to the drain shall be maintained. The return bend used under the drainboard shall be a one piece fitting or an assembly of a 45 degree, a 90 degree, and a 45 degree elbow in the order named. Pipe sizing shall be as elsewhere required in this code. The island sink drain, upstream of the returned vent, shall serve no other fixtures. An accessible cleanout shall be installed in the vertical portion of the foot vent.

**Diagrams are intended to illustrate the intent of the code.
Not to Scale.**