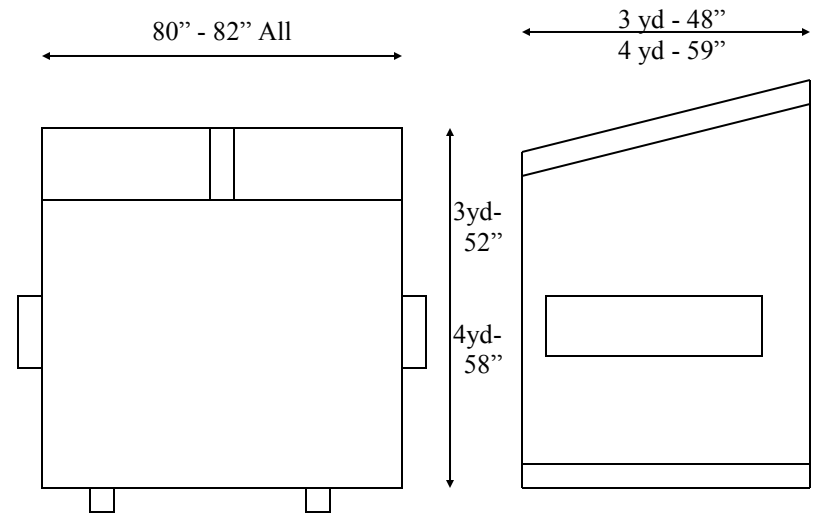


1 yd \$20.64 per pickup
 1 1/2 yd \$30.96 per pickup
 2 yd \$41.28 per pickup
 \$1.00 per day rental fee

6yd 123.84 per pickup
 8yd \$165.12 per pickup
 \$1.00 per day rental fee



3yd - 61.92 per pickup
 4 yd - \$82.56 per pickup
 \$1.00 per day rental fee

Large Construction Dumpsters:

20 yd 18' long by 4' high by 8' from front to back \$145.72 per pickup plus disposal costs of \$71.23 per ton.

30 yd 20' long by 5' high by 8' from front to back \$151.00 per pickup plus disposal costs of \$71.23 per ton.

40 yd 20' long by 7' high by 8' from front to back 156.28 per pickup plus disposal costs of \$71.23 per ton.

\$2.00 per day rental fee.

****ALL ON CALL DUMPSTERS MUST HAVE AT LEAST ONE PICKUP EACH CALENDAR MONTH.**